

# The Dutchman Add-On Air Seal Housing

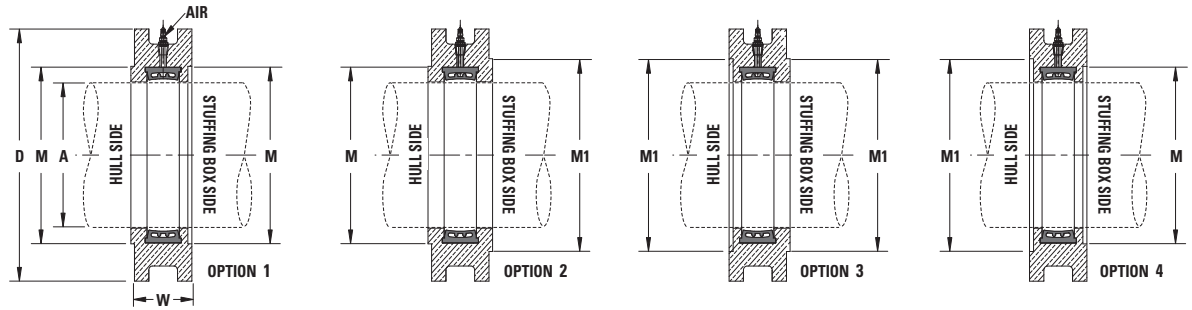
Allows You To Change Packing Without Drydocking.

The Dutchman can be custom-built and added to any split design or solid stuffing box. The Air Seal makes it easy to seal out seawater with a minimum of 15 psi, DO NOT EXCEED 40 psi. It allows you to change packing or maintain a stuffing box at sea, greatly reducing maintenance time and cost. A Dutchman Air Seal Housing can be added to any size or any type stuffing box. The housing can be ordered with female recess or a male pilot on either side to fit forward stern tube, vessel's bulkhead, or mating with stuffing box.

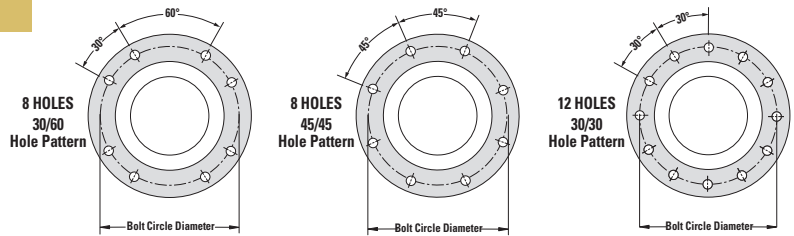
## Dutchman Air Seal Housing Specs



### MALE PILOT/FEMALE RECESS CONFIGURATION



### DRILL HOLE PATTERN



#### SPECIFY WHEN ORDERING:

Model Number: Alloy: Bronze (standard) or Aluminum Shaft Diameter: In Inches Configurations: Male Pilot or Female Recess

O.D. Shaft or Sleeve Journal	CODE	Outside Diameter	Male Pilot/ Female Recess Diameter	Male Pilot/ Female Recess Diameter	Overall Width	Hole Size	Number of Holes	Hole Drill and Tap	Hole Spacing
A	D	M	M1	W	Drilling Information				
2-1/2	0212	7-1/2	3-1/2	4	3-1/2	11/16	8	5/8 - 11 UNC	30/60
3	0300	7-1/2	4-1/2	4-3/4	3-1/2	11/16	8	5/8 - 11 UNC	30/60
3-1/4	0314	7-1/2	4-1/2	4-3/4	3-1/2	11/16	8	5/8 - 11 UNC	30/60
3-1/2	0312	8-1/8	4-1/2	5-1/4	3-1/2	11/16	8	5/8 - 11 UNC	30/60
3-3/4	0334	8-1/8	-	5-1/4	3-1/2	11/16	8	5/8 - 11 UNC	30/60
4	0400	8-5/8	5-1/2	5-3/4	3-1/2	11/16	8	5/8 - 11 UNC	30/60
4-1/4	0414	8-5/8	5-1/2	5-3/4	4	11/16	8	5/8 - 11 UNC	30/60
4-1/2	0412	9-3/8	6-1/8	6-1/2	4	11/16	8	5/8 - 11 UNC	30/60
4-3/4	0434	9-3/8	6-1/8	6-1/2	4	11/16	8	5/8 - 11 UNC	30/60
5	0500	10-1/8	6-1/2	7-1/4	4	11/16	8	5/8 - 11 UNC	30/60
5-1/4	0514	10-1/8	6-1/2	7-1/4	4	11/16	8	5/8 - 11 UNC	30/60
5-1/2	0512	10-5/8	7-1/2	7-3/4	4	11/16	8	5/8 - 11 UNC	30/60
5-3/4	0534	10-5/8	7-1/2	7-3/4	4	11/16	8	5/8 - 11 UNC	30/60
6	0600	11-3/8	8	8	4	11/16	8	5/8 - 11 UNC	30/60
6-1/4	0614	11-3/8	8	8	4	11/16	8	5/8 - 11 UNC	30/60
6-1/2	0612	13-1/2	8-1/2	8-5/8	4	13/16	8	3/4 - 10 UNC	45/45
6-5/8	0658	13-1/2	8-1/2	8-5/8	4	13/16	8	3/4 - 10 UNC	45/45
6-3/4	0634	13-3/4	8-1/2	9	4	13/16	8	3/4 - 10 UNC	45/45
6-7/8	0678	13-3/4	-	9	4	13/16	8	3/4 - 10 UNC	45/45
7	0700	13-3/4	9-1/4	9	4	13/16	8	3/4 - 10 UNC	45/45
7-1/8	0718	14-1/8	9-1/4	9-5/8	4	13/16	8	3/4 - 10 UNC	45/45
7-1/4	0714	14-1/8	9-1/4	9-5/8	4	13/16	8	3/4 - 10 UNC	45/45
7-3/8	0738	14-1/8	-	9-5/8	4	13/16	8	3/4 - 10 UNC	45/45
7-1/2	0712	14-1/2	10-1/4	10	4	13/16	8	3/4 - 10 UNC	45/45

O.D. Shaft or Sleeve Journal	CODE	Outside Diameter	Male Pilot/ Female Recess Diameter	Male Pilot/ Female Recess Diameter	Overall Width	Hole Size	Number of Holes	Hole Drill and Tap	Hole Spacing
A		D	M	M1	W	Drilling Information			
7-5/8	0758	14-1/2	10-1/4	10	4	13/16	8	3/4 - 10 UNC	45/45
7-3/4	0734	14-1/2	10-1/4	10	4	13/16	8	3/4 - 10 UNC	45/45
7-7/8	0778	14-7/8	10-1/4	10-3/8	4	13/16	8	3/4 - 10 UNC	45/45
8	0800	14-7/8	10-1/4	10-3/8	4	13/16	8	3/4 - 10 UNC	45/45
8-1/8	0818	14-7/8	-	10-3/8	4	13/16	8	3/4 - 10 UNC	45/45
8-1/4	0814	15-1/4	11	10-3/4	4	13/16	8	3/4 - 10 UNC	45/45
8-3/8	0838	15-1/4	11	10-3/4	4	13/16	8	3/4 - 10 UNC	45/45
8-1/2	0812	15-1/4	11	10-3/4	4	13/16	8	3/4 - 10 UNC	45/45
8-5/8	0858	15-5/8	11	11-1/8	4	13/16	8	3/4 - 10 UNC	45/45
8-3/4	0834	15-5/8	11	11-1/8	4	13/16	8	3/4 - 10 UNC	45/45
8-7/8	0878	15-5/8	-	11-1/8	4	13/16	8	3/4 - 10 UNC	45/45
9	0900	16	11-3/4	11-1/2	4	13/16	8	3/4 - 10 UNC	45/45
9-1/8	0918	16	11-3/4	11-1/2	4	13/16	8	3/4 - 10 UNC	45/45
9-1/4	0914	16	11-3/4	11-1/2	4	13/16	8	3/4 - 10 UNC	45/45
9-3/8	0938	16-3/8	11-3/4	11-7/8	4	13/16	8	3/4 - 10 UNC	45/45
9-1/2	0912	16-3/8	11-3/4	11-7/8	4	13/16	8	3/4 - 10 UNC	45/45
9-5/8	0958	16-3/8	-	11-7/8	4	13/16	8	3/4 - 10 UNC	45/45
9-3/4	0934	16-7/8	12-3/4	12-3/8	4	13/16	8	3/4 - 10 UNC	45/45
9-7/8	0978	16-7/8	12-3/4	12-3/8	4	13/16	8	3/4 - 10 UNC	45/45
10	1000	16-7/8	12-3/4	12-3/8	4	13/16	8	3/4 - 10 UNC	45/45
10-1/8	1018	17-7/8	12-3/4	12-3/4	4	15/16	8	7/8 - 9 UNC	45/45
10-1/4	1014	17-7/8	12-3/4	12-3/4	4	15/16	8	7/8 - 9 UNC	45/45
10-3/8	1038	17-7/8	-	12-3/4	4	15/16	8	7/8 - 9 UNC	45/45
10-1/2	1012	18-1/4	13-3/4	13-1/8	4	15/16	8	7/8 - 9 UNC	45/45
10-5/8	1058	18-1/4	13-3/4	13-1/8	4	15/16	8	7/8 - 9 UNC	45/45
10-3/4	1034	18-1/4	13-3/4	13-1/8	4	15/16	8	7/8 - 9 UNC	45/45
10-7/8	1078	18-5/8	13-3/4	13-1/2	4	15/16	8	7/8 - 9 UNC	45/45
11	1100	18-5/8	13-3/4	13-1/2	4	15/16	8	7/8 - 9 UNC	45/45
11-1/8	1118	18-5/8	-	13-1/2	4	15/16	8	7/8 - 9 UNC	45/45
11-1/4	1114	19	14-1/2	13-7/8	4	15/16	8	7/8 - 9 UNC	45/45
11-3/8	1138	19	14-1/2	13-7/8	4	15/16	8	7/8 - 9 UNC	45/45
11-1/2	1112	19	14-1/2	13-7/8	4	15/16	8	7/8 - 9 UNC	45/45
11-5/8	1158	19-3/8	14-1/2	14-1/8	4	15/16	12	7/8 - 9 UNC	30/30
11-3/4	1134	19-3/8	14-1/2	14-1/8	4	15/16	12	7/8 - 9 UNC	30/30
11-7/8	1178	19-3/8	-	14-1/8	4	15/16	12	7/8 - 9 UNC	30/30
12	1200	19-3/4	15-1/2	14-1/2	4	15/16	12	7/8 - 9 UNC	30/30
12-1/8	1218	19-3/4	15-1/2	14-1/2	4	15/16	12	7/8 - 9 UNC	30/30
12-1/4	1214	19-3/4	15-1/2	14-1/2	4	15/16	12	7/8 - 9 UNC	30/30
12-3/8	1238	20-1/8	15-1/2	15-1/8	4-1/4	15/16	12	7/8 - 9 UNC	30/30
12-1/2	1212	20-1/8	15-1/2	15-1/8	4-1/4	15/16	12	7/8 - 9 UNC	30/30
12-5/8	1258	20-1/8	-	15-1/8	4-1/4	15/16	12	7/8 - 9 UNC	30/30
12-3/4	1234	20-1/2	16-1/4	15-1/2	4-1/4	15/16	12	7/8 - 9 UNC	30/30
12-7/8	1278	20-1/2	16-1/4	15-1/2	4-1/4	15/16	12	7/8 - 9 UNC	30/30
13	1300	20-1/2	16-1/4	15-1/2	4-1/4	15/16	12	7/8 - 9 UNC	30/30
13-1/8	1318	21	16-1/4	15-3/4	4-1/4	15/16	12	7/8 - 9 UNC	30/30
13-1/4	1314	21	16-1/4	15-3/4	4-1/4	15/16	12	7/8 - 9 UNC	30/30
13-3/8	1338	21	-	15-3/4	4-1/4	15/16	12	7/8 - 9 UNC	30/30
13-1/2	1312	21-3/8	17-1/4	16-1/4	4-1/4	15/16	12	7/8 - 9 UNC	30/30
13-5/8	1358	21-3/8	17-1/4	16-1/4	4-1/4	15/16	12	7/8 - 9 UNC	30/30
13-3/4	1334	21-3/8	17-1/4	16-1/4	4-1/4	15/16	12	7/8 - 9 UNC	30/30
13-7/8	1378	21-3/4	17-1/4	16-5/8	4-1/4	15/16	12	7/8 - 9 UNC	30/30
14	1400	21-3/4	17-1/4	16-5/8	4-1/4	15/16	12	7/8 - 9 UNC	30/30
14-1/8	1418	21-3/4	-	16-5/8	4-1/4	15/16	12	7/8 - 9 UNC	30/30
14-1/4	1414	22-1/8	18-1/4	17-1/4	4-1/4	15/16	12	7/8 - 9 UNC	30/30
14-3/8	1438	22-1/8	18-1/4	17-1/4	4-1/4	15/16	12	7/8 - 9 UNC	30/30
14-1/2	1412	22-1/8	18-1/4	17-1/4	4-1/4	15/16	12	7/8 - 9 UNC	30/30
14-5/8	1458	22-1/2	18-1/4	17-1/2	4-1/4	15/16	12	7/8 - 9 UNC	30/30
14-3/4	1434	22-1/2	18-1/4	17-1/2	4-1/4	15/16	12	7/8 - 9 UNC	30/30
14-7/8	1478	22-3/4	-	17-3/4	4-1/4	15/16	12	7/8 - 9 UNC	30/30
15	1500	22-3/4	19	17-3/4	4-1/4	15/16	12	7/8 - 9 UNC	30/30

Consult factory for sizes 15-1/8" to 36"