

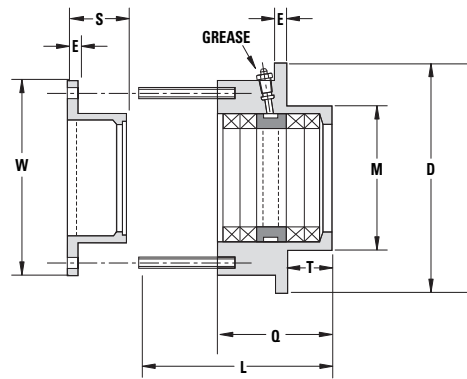
Bulkhead & Rudder Stuffing Boxes

Model 1791

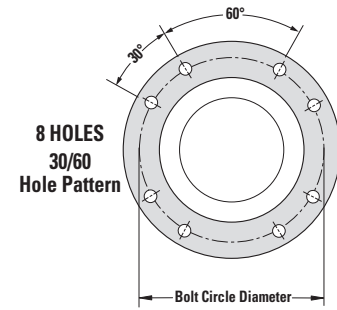
Grease Service



MALE PILOT



DRILL HOLE PATTERN



SPECIFY WHEN ORDERING:

Model Number: Alloy: Bronze (standard) or Aluminum Shaft Diameter: In Inches or Millimeters

O.D. Shaft or Sleeve Journal	CODE	Flange Diameter	Flange Thickness	Male Pilot Diameter	Length	Overall Length	Gland Length	Pilot Length	Gland Flange Diameter	Packing O.D.	Packing Size	No. of Rings	No. of Holes	Drill Size	Bolt Circle	Hole Spacing
A	D	E	M	Q	L	S	T	W	Packing			Drilling Information				
2 50.80	0200	5 -3/4 146.05	1/4 6.35	3 -1/4 82.55	2 -1/2 63.50	4 -11/16 119.06	1 -1/4 31.75	1 25.40	5 -1/4 133.35	2 -3/4 69.85	3/8 9.53	4	8	9/16 14.29	4 -1/2 114.30	30/60
2 -1/4 57.15	0214	6 152.40	1/4 6.35	3 -1/2 88.90	2 -1/2 63.50	4 -11/16 119.06	1 -1/4 31.75	1 25.40	5 -1/2 139.70	3 76.20	3/8 9.53	4	8	9/16 14.29	4 -3/4 120.65	30/60
2 -1/2 63.50	0212	6 -1/4 158.75	3/8 9.53	3 -3/4 95.25	2 -5/8 66.68	4 -13/16 122.24	1 -3/8 34.93	1 25.40	5 -3/4 146.05	3 -1/4 82.55	3/8 9.53	4	8	9/16 14.29	5 127.00	30/60
2 -3/4 69.85	0234	6 -1/2 165.10	3/8 9.53	4 101.60	2 -5/8 66.68	4 -13/16 122.24	1 -3/8 34.93	1 25.40	6 152.40	3 -1/2 88.90	3/8 9.53	4	8	9/16 14.29	5 -1/2 139.70	30/60
3 76.20	0300	7 -1/2 190.50	7/16 11.11	4 -3/4 120.65	3 -1/16 77.79	5 -1/4 133.35	1 -7/16 36.51	1 -5/16 33.34	7 177.80	4 101.60	1/2 12.70	4	8	11/16 17.46	6 -1/4 158.75	30/60
3 -1/4 82.55	0314	7 -1/2 190.50	7/16 11.11	4 -3/4 120.65	3 -1/16 77.79	5 -1/4 133.35	1 -7/16 36.51	1 -5/16 33.34	7 177.80	4 -1/4 107.95	1/2 12.70	4	8	11/16 17.46	6 -1/4 158.75	30/60
3 -1/2 88.90	0312	8 -1/8 206.38	5/8 15.88	5 -1/4 133.35	3 -1/4 82.55	5 -5/8 142.88	1 -5/8 41.28	1 -3/8 34.93	7 -5/8 193.68	4 -1/2 114.30	1/2 12.70	4	8	11/16 17.46	6 -3/4 171.45	30/60
3 -3/4 95.25	0334	8 -1/8 206.38	5/8 15.88	5 -1/4 133.35	3 -1/4 82.55	5 -5/8 142.88	1 -5/8 41.28	1 -3/8 34.93	7 -5/8 193.68	4 -3/4 120.65	1/2 12.70	4	8	11/16 17.46	6 -3/4 171.45	30/60
4 101.60	0400	8 -5/8 219.08	5/8 15.88	5 -3/4 146.05	3 -1/4 82.55	5 -5/8 142.88	1 -5/8 41.28	1 -1/4 31.75	8 -1/8 206.38	5 127.00	1/2 12.70	4	8	11/16 17.46	7 -1/4 184.15	30/60
4 -1/4 107.95	0414	8 -5/8 219.08	5/8 15.88	5 -3/4 146.05	3 -1/4 82.55	5 -5/8 142.88	1 -5/8 41.28	1 -1/4 31.75	8 -1/8 206.38	5 -1/4 133.35	1/2 12.70	4	8	11/16 17.46	7 -1/4 184.15	30/60
4 -1/2 114.30	0412	9 -3/8 238.13	3/4 19.05	6 -1/2 165.10	3 -5/8 92.08	6 -1/4 158.75	1 -7/8 47.63	1 -1/2 38.10	8 -7/8 225.43	5 -3/4 146.05	5/8 15.88	4	8	11/16 17.46	8 203.20	30/60
4 -3/4 120.65	0434	9 -3/8 238.13	3/4 19.05	6 -1/2 165.10	3 -5/8 92.08	6 -1/4 158.75	1 -7/8 47.63	1 -1/2 38.10	8 -7/8 225.43	6 152.40	5/8 15.88	4	8	11/16 17.46	8 203.20	30/60
5 127.00	0500	10 -1/8 257.18	3/4 19.05	7 -1/4 184.15	4 -1/4 107.95	7 -5/8 193.68	2 -3/8 60.33	1 -7/8 47.63	9 -5/8 244.48	6 -1/2 165.10	3/4 19.05	4	8	11/16 17.46	8 -3/4 222.25	30/60
5 -1/4 133.35	0514	10 -1/8 257.18	3/4 19.05	7 -1/4 184.15	4 -1/4 107.95	7 -5/8 193.68	2 -3/8 60.33	1 -7/8 47.63	9 -5/8 244.48	6 -3/4 171.45	3/4 19.05	4	8	11/16 17.46	8 -3/4 222.25	30/60
5 -1/2 139.70	0512	10 -5/8 269.88	3/4 19.05	7 -3/4 196.85	4 -1/4 107.95	7 -5/8 193.68	2 -3/8 60.33	1 -7/8 47.63	10 -1/8 257.18	7 177.80	3/4 19.05	4	8	11/16 17.46	9 -1/4 234.95	30/60
5 -3/4 146.05	0534	10 -5/8 269.88	3/4 19.05	7 -3/4 196.85	4 -1/4 107.95	7 -5/8 193.68	2 -3/8 60.33	1 -7/8 47.63	10 -1/8 257.18	7 -1/4 184.15	3/4 19.05	4	8	11/16 17.46	9 -1/4 234.95	30/60
6 152.40	0600	11 -3/8 288.93	3/4 19.05	8 -3/8 212.73	4 -1/4 107.95	8 -1/4 209.55	2 -3/8 60.33	1 -7/8 47.63	10 -7/8 276.23	7 -1/2 190.50	3/4 19.05	4	8	11/16 17.46	10 -1/8 257.18	30/60
6 -1/4 158.75	0614	11 -3/8 288.93	3/4 19.05	8 -3/8 212.73	4 -1/4 107.95	8 -1/4 209.55	2 -3/8 60.33	1 -7/8 47.63	10 -7/8 276.23	7 -3/4 196.85	3/4 19.05	4	8	11/16 17.46	10 -1/8 257.18	30/60

Consult factory for sizes larger than 6 -1/4"