

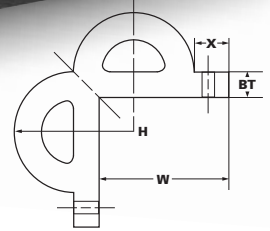
800 SERIES

CORNER GUARD

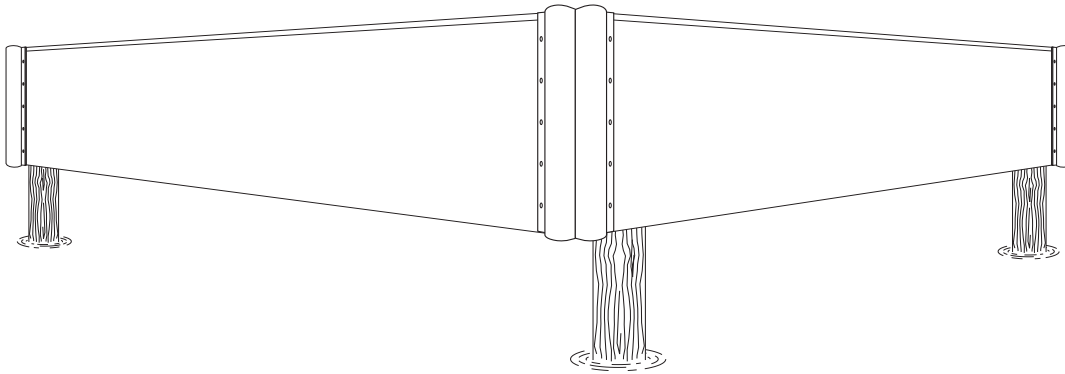
The Duramax® Corner Guard fender is designed to give optimal protection to 90 degree corners.

Extrusion has 2" wings for easy fastening.

Offered in three EPDM colors: black, non-marking grey and white.



| CODE NO. | DURAMAX® PART NO. | BASE WIDTH (W) | BASE THICKNESS (BT) | WING LENGTH (X) | REF RADIUS (H) | WT./FT. | LENGTH UP TO |
|----------|-------------------|----------------|---------------------|-----------------|----------------|---------|--------------|
| DB-809 | 802080901 | 5 9/16" | 1 1/2" | 2" | 4 1/2" | 21 LBS. | 20 FT. |



CORNER GUARD

