

Split Naval Brass Flanged Bearings

SPLIT STRUT OR AFT STERN TUBE



FLANGE DRILLING
DIAGRAM ON PAGE 18

Johnson Cutless® Flanged Bearings are centrifugally cast naval brass with an integral flange for bolting to stern tube or strut housing to retain bearing and prevent rotation in housing. Specially formulated oil and chemical resistant nitrile rubber is securely bonded to the shell.

Split styles offer ease of installation and change. Shells are heavy walled providing structural strength and can be step turned if desired. Flanges are furnished UN-DRILLED unless specified. See page 18 for Drilling Diagrams.

PRECAUTION:

When shrink fitting of the bearing is required, chilling must be achieved by gradual cooling to not more than minus 20°F(-28°C) using freezer or regular ice (**DO NOT DRY ICE**). NOTE: Pounding or shocking the bearing while in the chilled state could cause the rubber to separate from the shell.

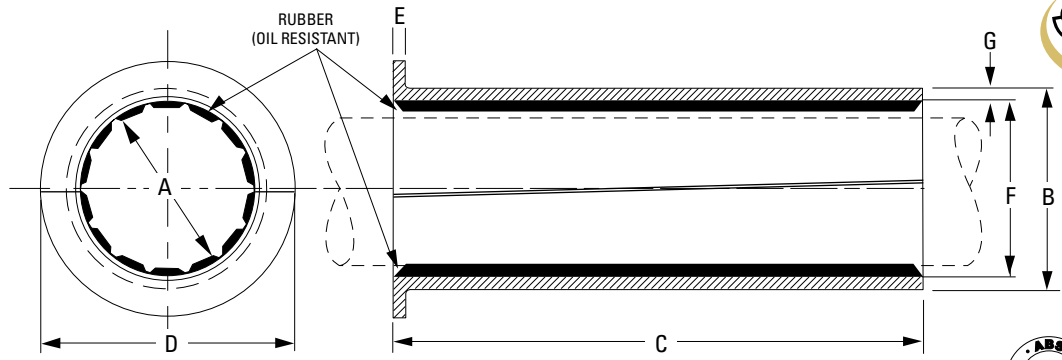
Approved Bearings: Johnson Cutless® Naval Brass Flanged Bearings meet military specification MIL-DTL-17901C (SH) Class II Full-Molded type and have full type approval from The American Bureau of Shipping.

Part No.	Code	A Shaft Diameter		B Outside Diameter		C Length		D Flange Diameter		E Flange Thickness		F Metal I.D.		G Metal Thickness	
		inch	mm	inch	mm	inch	mm	inch	mm	inch	mm	inch	mm	inch	mm
861532120	FAITH	6	152.40	8 1/2	215.90	20	508.00	11 5/8	295.28	5/8	15.88	7	177.80	3/4	19.05
861532121	FARCE	6	152.40	8 1/2	215.90	24	609.60	11 5/8	295.28	5/8	15.88	7	177.80	3/4	19.05
861532123	FERRY	6	152.40	8 3/4	222.25	24	609.60	11 5/8	295.28	5/8	15.88	7	177.80	7/8	22.23
—	—	6	152.40	7 7/8	200.03	21 1/2	546.10	10 3/8	263.53	9/16	14.29	7	177.80	7/16	11.11
—	—	6 1/8	155.58	8	203.20	22	558.80	10 1/2	266.70	9/16	14.29	7 1/8	180.98	7/16	11.11
—	—	6 1/4	158.75	8 1/8	206.38	22 1/2	571.50	10 5/8	269.88	9/16	14.29	7 1/4	184.15	7/16	11.11
861622120	—	6 3/8	161.93	8 1/4	209.55	23	584.20	10 3/4	273.05	9/16	14.29	7 3/8	187.33	7/16	11.11
—	—	6 1/2	165.10	8 3/8	212.73	23 1/2	596.90	11	279.40	9/16	14.29	7 1/2	190.50	7/16	11.11
—	—	6 5/8	168.28	8 5/8	219.08	24	609.60	11 1/4	285.75	9/16	14.29	7 5/8	193.68	1/2	12.70
861722120	FORCE	6 3/4	171.45	8 3/4	222.25	24	609.60	11 1/4	285.75	9/16	14.29	7 7/8	200.03	7/16	11.11
861722122	FLASH	6 3/4	171.45	8 7/8	225.43	24 1/2	622.30	11 3/8	288.93	9/16	14.29	7 7/8	200.03	1/2	12.70
—	—	7	177.80	9 1/8	231.78	25 1/2	647.70	11 5/8	295.28	9/16	14.29	8 1/8	206.38	1/2	12.70
—	—	7 1/8	180.98	9 1/4	234.95	25 1/2	647.70	11 3/4	298.45	9/16	14.29	8 1/4	209.55	1/2	12.70
—	—	7 1/4	184.15	9 3/8	238.13	26 1/2	673.10	11 7/8	301.63	9/16	14.29	8 3/8	212.73	1/2	12.70
—	—	7 3/8	187.33	9 5/8	244.48	27	685.80	12 1/8	307.98	9/16	14.29	8 5/8	219.08	1/2	12.70
861912120	GRADE	7 1/2	190.50	9 7/8	250.83	27 1/2	698.50	10 1/4	260.35	9/16	14.29	8 3/4	222.25	9/16	14.29
861912121	GRAIN	7 1/2	190.50	9 7/8	250.83	27 1/2	698.50	12 3/8	314.33	9/16	14.29	8 3/4	222.25	9/16	14.29
861912122	—	7 1/2	190.50	9 3/4	247.65	27 1/2	698.50	12 1/4	311.15	9/16	14.29	8 3/4	222.25	1/2	12.70
—	—	7 5/8	193.68	9 7/8	250.83	28	711.20	12 3/8	314.33	9/16	14.29	8 3/4	222.25	9/16	14.29
—	—	7 3/4	196.85	10	254.00	28 1/2	723.90	12 1/2	317.50	9/16	14.29	8 7/8	225.43	9/16	14.29
—	—	7 7/8	200.03	10 1/8	257.18	29	736.60	12 5/8	320.68	9/16	14.29	9 1/8	231.78	1/2	12.70
862042120	—	8	203.20	10 3/8	263.53	29 1/2	749.30	13 1/4	336.55	5/8	15.88	9 1/4	234.95	9/16	14.29
—	—	8 1/8	206.38	10 1/2	266.70	30	762.00	13 3/8	339.73	5/8	15.88	9 3/8	238.13	9/16	14.29
—	—	8 1/4	209.55	10 5/8	269.88	30 1/2	774.70	13 1/2	342.90	5/8	15.88	9 1/2	241.30	9/16	14.29
—	—	8 3/8	212.73	10 3/4	273.05	31	787.40	13 5/8	346.08	5/8	15.88	9 5/8	244.48	9/16	14.29
—	—	8 1/2	215.90	10 7/8	276.23	31 1/2	800.10	13 3/4	349.25	5/8	15.88	9 3/4	247.65	9/16	14.29
—	—	8 5/8	219.08	11	279.40	32	812.80	13 7/8	352.43	5/8	15.88	9 7/8	250.83	9/16	14.29
—	—	8 3/4	222.25	11 1/8	282.58	32 1/2	825.50	14	355.60	5/8	15.88	10	254.00	9/16	14.29
—	—	8 7/8	225.43	11 1/4	285.75	33	838.20	14 1/8	358.78	3/4	19.05	10 1/8	257.18	9/16	14.29
862292120	—	9	228.60	11 3/8	288.93	33 1/2	850.90	14 1/4	361.95	3/4	19.05	10 1/4	260.35	9/16	14.29
862332120	—	9 1/8	231.78	11 1/2	292.10	34	863.60	14 1/2	368.30	3/4	19.05	10 3/8	263.53	9/16	14.29
—	—	9 1/4	234.95	11 5/8	295.28	34 1/2	876.30	14 5/8	371.48	3/4	19.05	10 1/2	266.70	9/16	14.29
—	—	9 3/8	238.13	11 3/4	298.45	35	889.00	14 3/4	374.65	3/4	19.05	10 5/8	269.88	9/16	14.29
862422120	INSUL	9 1/2	241.30	11 7/8	301.63	20 3/4	527.05	14 3/4	374.65	1	25.40	10 3/4	273.05	9/16	14.29
862422121	—	9 1/2	241.30	11 7/8	301.63	35 1/2	901.70	14 7/8	377.83	3/4	19.05	10 3/4	273.05	9/16	14.29
—	—	9 5/8	244.48	12	304.80	36	914.40	15	381.00	3/4	19.05	10 7/8	276.23	9/16	14.29
—	—	9 3/4	247.65	12 1/4	311.15	36 1/2	927.10	15 1/4	387.35	3/4	19.05	11	279.40	5/8	15.88
—	—	9 7/8	250.83	12 3/8	314.33	37	939.80	15 3/8	390.53	3/4	19.05	11 1/8	282.58	5/8	15.88
—	—	10	254.00	12 1/2	317.50	37 1/2	952.50	15 1/2	393.70	3/4	19.05	11 1/4	285.75	11/16	17.46

NOTE: Dimensions for each size bearing continue across both pages.



- A = SHAFT DIAMETER
- B = OUTSIDE DIAMETER
- C = LENGTH
- D = FLANGE DIAMETER
- E = FLANGE THICKNESS
- F = METAL I.D.
- G = METAL THICKNESS



To Facilitate Assembly and Removal of Bearing — Split on Taper as Follows:
 Split Above or Below Ctr. Line, At End: Bearing Length 1/16 Up to and including 36" long



Part No.	Code	A Shaft Diameter		B Outside Diameter		C Length		D Flange Diameter		E Flange Thickness		F Metal I.D.		G Metal Thickness	
		inch	mm	inch	mm	inch	mm	inch	mm	inch	mm	inch	mm	inch	mm
862582120	—	10 1/8	257.18	12 5/8	320.68	38	965.20	15 5/8	396.88	3/4	19.05	11 1/4	285.75	5/8	15.88
864612120	—	10 1/4	260.35	12 3/4	323.85	38 1/2	977.90	15 7/8	403.23	3/4	19.05	11 1/2	292.10	5/8	15.88
—	—	10 3/8	263.53	12 7/8	327.03	39	990.60	16	406.40	3/4	19.05	11 5/8	295.28	5/8	15.88
—	—	10 1/2	266.70	13	330.20	39 1/2	1,003.30	16 1/8	409.58	3/4	19.05	11 3/4	298.45	5/8	15.88
—	—	10 5/8	269.88	13 1/8	333.38	40	1,016.00	16 1/4	412.75	3/4	19.05	11 7/8	301.63	5/8	15.88
—	—	10 3/4	273.05	13 1/4	336.55	40 1/2	1,028.70	16 3/8	415.93	3/4	19.05	12	304.80	5/8	15.88
—	—	10 7/8	276.23	13 3/8	339.73	41	1,041.40	17	431.80	3/4	19.05	12 1/8	307.98	5/8	15.88
—	—	11	279.40	13 5/8	346.08	41 1/2	1,054.10	17 1/4	438.15	3/4	19.05	12 3/8	314.33	5/8	15.88
—	—	11 1/8	282.58	13 3/4	349.25	42	1,066.80	17 3/8	441.33	3/4	19.05	12 1/2	317.50	5/8	15.88
—	—	11 1/4	285.75	13 7/8	352.43	42 1/2	1,079.50	17 1/2	444.50	3/4	19.05	12 5/8	320.68	5/8	15.88
—	—	11 3/8	288.93	14 1/8	358.78	43	1,092.20	17 3/4	450.85	3/4	19.05	12 3/4	323.85	11/16	17.46
—	—	11 1/2	292.10	14 1/4	361.95	43 1/2	1,104.90	17 7/8	454.03	3/4	19.05	12 7/8	327.03	11/16	17.46
—	—	11 5/8	295.28	14 3/8	365.13	44	1,117.60	18	457.20	3/4	19.05	13	330.20	11/16	17.46
—	—	11 3/4	298.45	14 1/2	368.30	44 1/2	1,130.30	18 1/8	460.38	3/4	19.05	13 1/8	333.38	11/16	17.46
—	—	11 7/8	301.63	14 5/8	371.48	45	1,143.00	18 1/4	463.55	3/4	19.05	13 1/4	336.55	11/16	17.46
—	—	12	304.80	14 7/8	377.83	45 1/2	1,155.70	18 1/2	469.90	3/4	19.05	13 1/2	342.90	11/16	17.46
—	—	12 1/8	307.98	15	381.00	46	1,168.40	18 5/8	473.08	3/4	19.05	13 5/8	346.08	11/16	17.46
—	—	12 1/4	311.15	15 1/8	384.18	46 1/2	1,181.10	18 3/4	476.25	3/4	19.05	13 3/4	349.25	11/16	17.46
—	—	12 3/8	314.33	15 1/4	387.35	47	1,193.80	18 7/8	479.43	3/4	19.05	13 7/8	352.43	11/16	17.46
863182120	—	12 1/2	317.50	15 3/8	390.53	47 1/2	1,206.50	19	482.60	3/4	19.05	14	355.60	11/16	17.46
—	—	12 5/8	320.68	15 1/2	393.70	48	1,219.20	19 1/8	485.78	3/4	19.05	14 1/8	358.78	11/16	17.46
—	—	12 3/4	323.85	15 5/8	396.88	48 1/2	1,231.90	19 1/4	488.95	3/4	19.05	14 1/4	361.95	11/16	17.46
—	—	12 7/8	327.03	15 3/4	400.05	49	1,244.60	19 3/8	492.13	3/4	19.05	14 3/8	365.13	11/16	17.46
832212120	—	13	330.20	16	406.40	50	1,270.00	19 5/8	498.48	7/8	22.23	14 1/2	368.30	3/4	19.05
—	—	13 1/8	333.38	16 1/8	409.58	50 1/8	1,273.18	19 3/4	501.65	7/8	22.23	14 5/8	371.48	3/4	19.05
—	—	13 1/4	336.55	16 1/4	412.75	51	1,295.40	19 7/8	504.83	7/8	22.23	14 3/4	374.65	3/4	19.05
—	—	13 3/8	339.73	16 3/8	415.93	51 1/2	1,308.10	20	508.00	7/8	22.23	14 7/8	377.83	3/4	19.05
—	—	13 1/2	342.90	16 1/2	419.10	52	1,320.80	20 1/8	511.18	7/8	22.23	15	381.00	3/4	19.05
—	—	13 5/8	346.08	16 5/8	422.28	52 1/2	1,333.50	20 1/4	514.35	7/8	22.23	15 1/8	384.18	3/4	19.05
—	—	13 3/4	349.25	16 3/4	425.45	53	1,346.20	20 3/8	517.53	7/8	22.23	15 1/4	387.35	3/4	19.05
—	—	13 7/8	352.43	16 7/8	428.63	53 1/2	1,358.90	20 1/2	520.70	7/8	22.23	15 3/8	390.53	3/4	19.05
—	—	14	355.60	17	431.80	54	1,371.60	20 5/8	523.88	7/8	22.23	15 1/2	393.70	3/4	19.05
—	—	14 1/8	358.78	17 1/8	434.98	54 1/2	1,384.30	20 3/4	527.05	7/8	22.23	15 5/8	396.88	3/4	19.05
—	—	14 1/4	361.95	17 1/4	438.15	55	1,397.00	20 7/8	530.23	7/8	22.23	15 3/4	400.05	3/4	19.05
—	—	14 3/8	365.13	17 3/8	441.33	55 1/2	1,409.70	21	533.40	7/8	22.23	15 7/8	403.23	3/4	19.05
—	—	14 1/2	368.30	17 5/8	447.68	56	1,422.40	21 1/4	539.75	7/8	22.23	16	406.40	13/16	20.64
—	—	14 5/8	371.48	17 3/4	450.85	56 1/2	1,435.10	21 3/8	542.93	7/8	22.23	16 1/8	409.58	13/16	20.64
—	—	14 3/4	374.65	17 7/8	454.03	57	1,447.80	21 1/2	546.10	7/8	22.23	16 1/4	412.75	13/16	20.64
—	—	14 7/8	377.83	18	457.20	57 1/2	1,460.50	21 5/8	549.28	7/8	22.23	16 3/8	415.93	13/16	20.64
—	—	15	381.00	18 1/8	460.38	58	1,473.20	21 3/4	552.45	7/8	22.23	16 1/2	419.10	13/16	20.64

NAVAL BRASS FLANGED